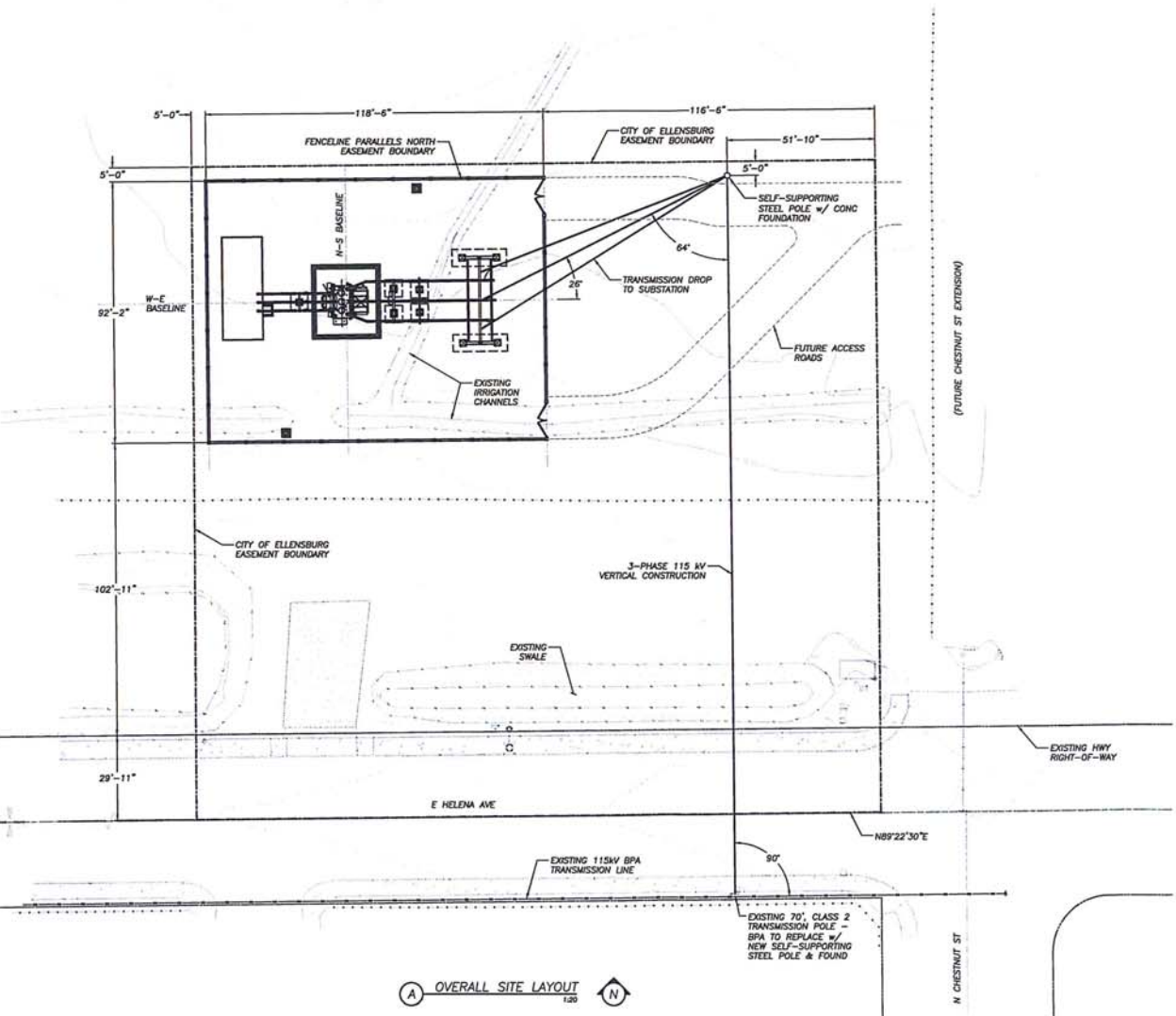


GENERAL NOTES
 1 EXISTING CONDITIONS SURVEY PROVIDED BY
 ENCOMPASS ENGINEERING & SURVEYING



NOT FOR CONSTRUCTION



Brown & Kyear, Inc.
 Engineering & Consulting
 10000 44th Street S, Suite 100
 Tukwila, WA 98162

BIG PROJECT NO: ELL3-001
 CONTRACT NO: _____
 THIS DRAWING IS A PART OF A PROJECT
 IN THE PROJECT FILE



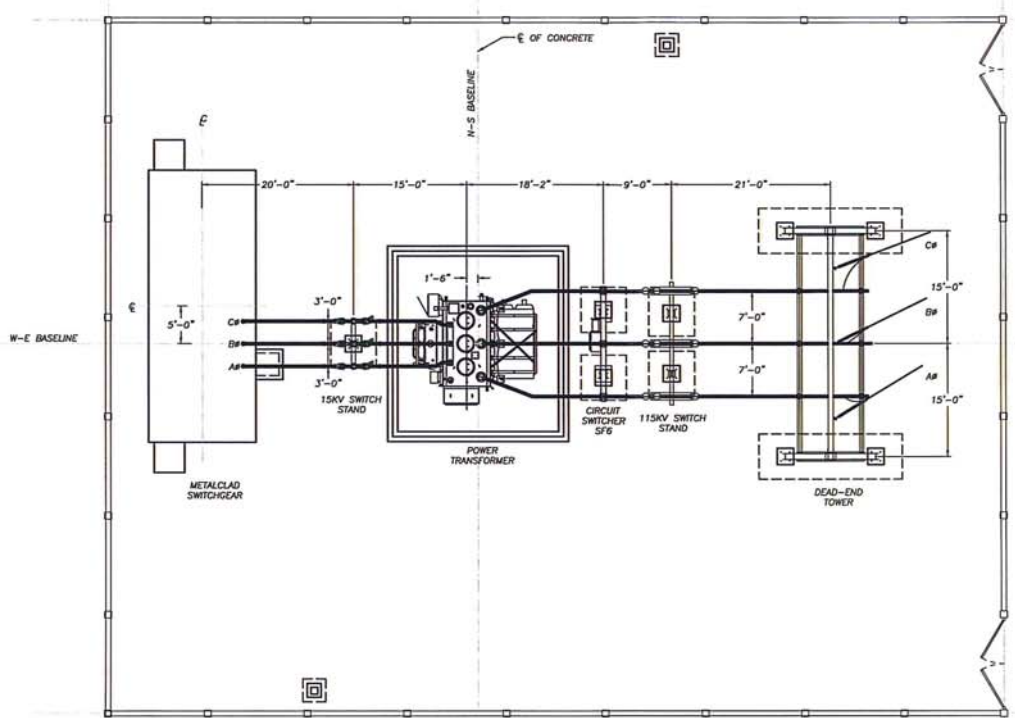
HELENA AVENUE SUBSTATION
 SITE PLAN OVERVIEW
 CITY OF ELLENSBURG
 501 NORTH ANDERSON STREET
 ELLENSBURG, WA 98926

A
 REVISION

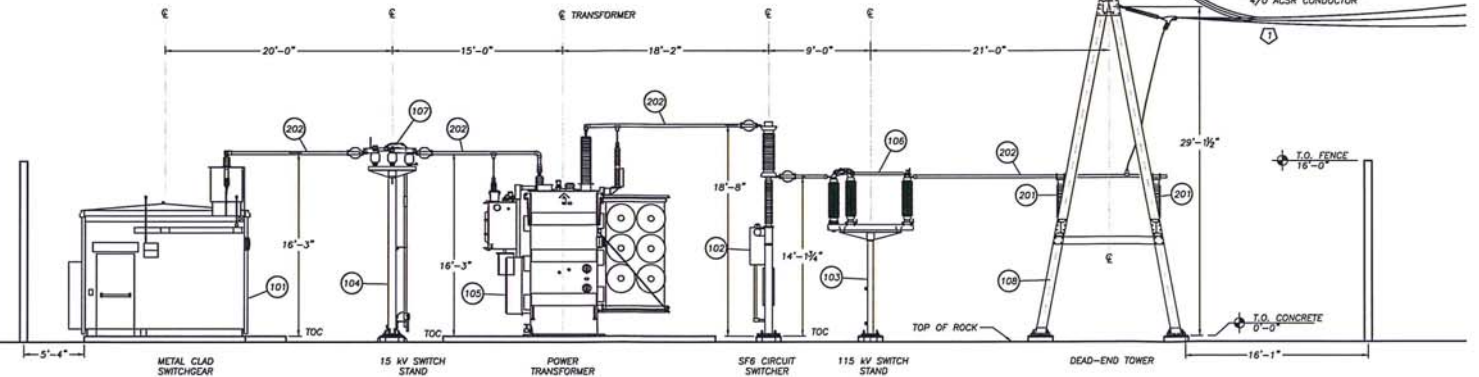
A3
 - /

C:\Users\p\Documents\1103\11030000.dwg, 01/28/2025, 10:51:54 AM, PLOT: 1/25, 11:12:10 AM, PLOT: 1/25, 11:12:10 AM

A4 - Helena Avenue Substation Equipment Plan and Elevation - 10/28/2013



A EQUIPMENT PLAN
1/8" = 1'-0"



B EQUIPMENT NORTH ELEVATION
3/16" = 1'-0"

- GENERAL NOTES**
- 1 SEE SHEET E5 FOR ADDITIONAL BUS LAYOUT & FITTING CALLOUTS
 - 2
 - 3

- KEYED NOTES**
- 1 TRANSMISSION DROP, MAX 1500 LB. TENSION PER CONDUCTOR
 - 2
 - 3

NOT FOR CONSTRUCTION

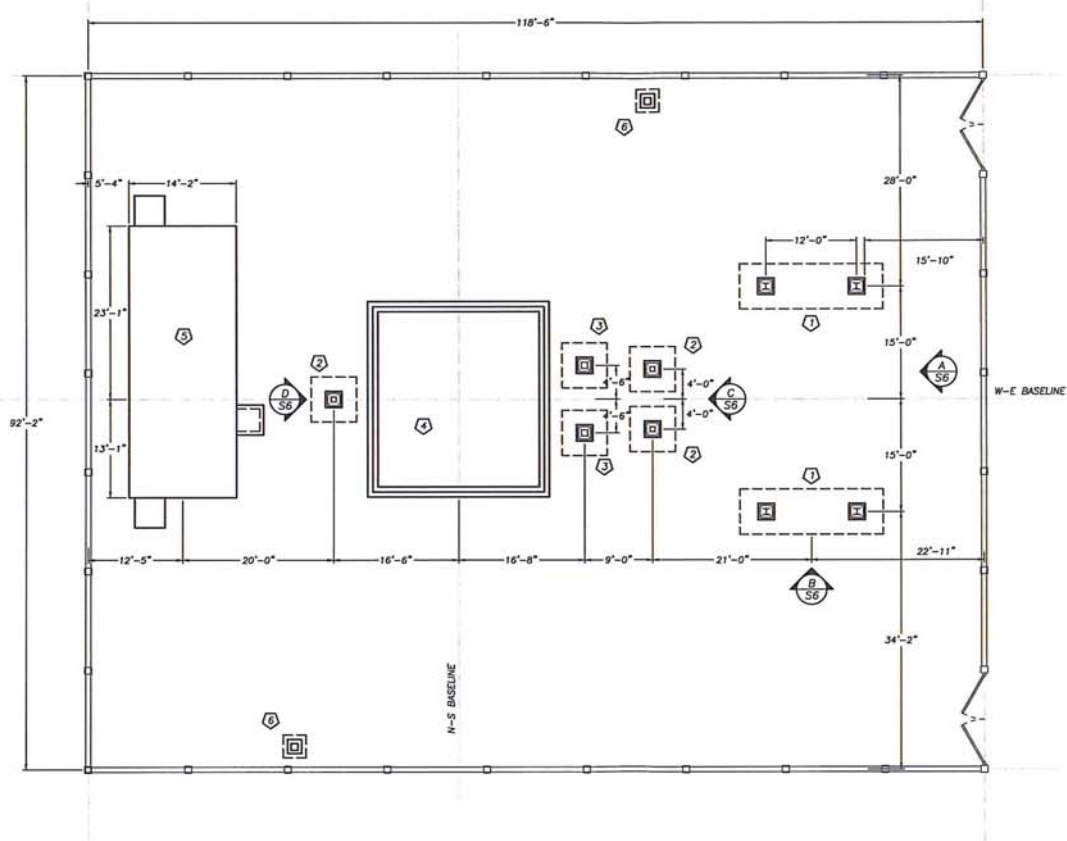
Brown & Nyman, Inc. ENGINEERING & CONSULTING LICENSE NO. 28063 LICENSE NO. 2339
B&N CONTRACT NO.: BK1 PROJECT NO.: ELL3-001 THIS DRAWING IS THE PROPERTY OF B&N AND SHALL REMAIN UNDER THE CONTROL OF B&N.
HELENA AVENUE SUBSTATION EQUIPMENT PLAN AND ELEVATION CITY OF ELLENSBURG 501 NORTH ANDERSON STREET ELLENSBURG, WA 98926
A4 / REVISION

GENERAL NOTES

- 1 TOP OF CONCRETE ELEVATIONS TO BE 1637.50'
- 2 FOR LOCAL REFERENCE TOP OF CONCRETE ELEVATION TO BE 0'-0"
- 3 SEE ADDITIONAL STRUCTURAL NOTES ON SHEET S1

KEYED NOTES

- 1 DEADEND FRAME FOOTING, SEE 1/S3
- 2 SWITCH STAND FOOTING, SEE 2/S3
- 3 CIRCUIT SWITCHER FOOTING, SEE 3/S3
- 4 TRANSFORMER FOUNDATION, SEE SHEET S4
- 5 SWITCHGEAR FOUNDATION, SEE SHEET S5
- 6 LIGHT POLE FOOTING, SEE 4/S3



(A) FOUNDATION PLAN
1/8" = 1'-0" (N)

PHIC	REVISION
DESIGNER	
ENGINEER	
REVISION DESCRIPTION	
DATE	
REV. DATE	
REV. DATE	
Brown & Kysar, Inc. LICENSE NO. 10000422329 B&K PROJECT NO: EL13-001 CONTRACT NO: _____ THIS DRAWING IS 1" SCALE AT THE CORRECT SCALE	
HELENA AVENUE SUBSTATION FOUNDATION PLAN CITY OF ELLENSBURG 501 NORTH ANDERSON STREET ELLENSBURG, WA 98926	
A	REVISION
S2	

NOT FOR CONSTRUCTION